

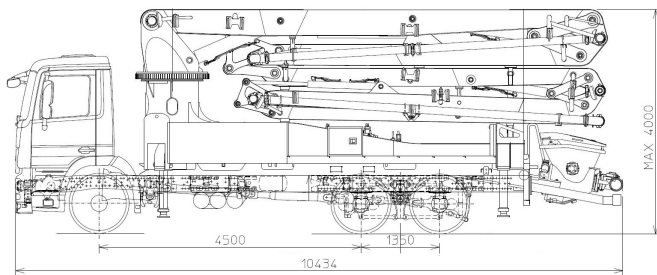
**RELIABLE**  
**EASY TO USE**  
**TOP VALUE FOR MONEY**

### TRUCK-MOUNTED CONCRETE BOOM PUMP

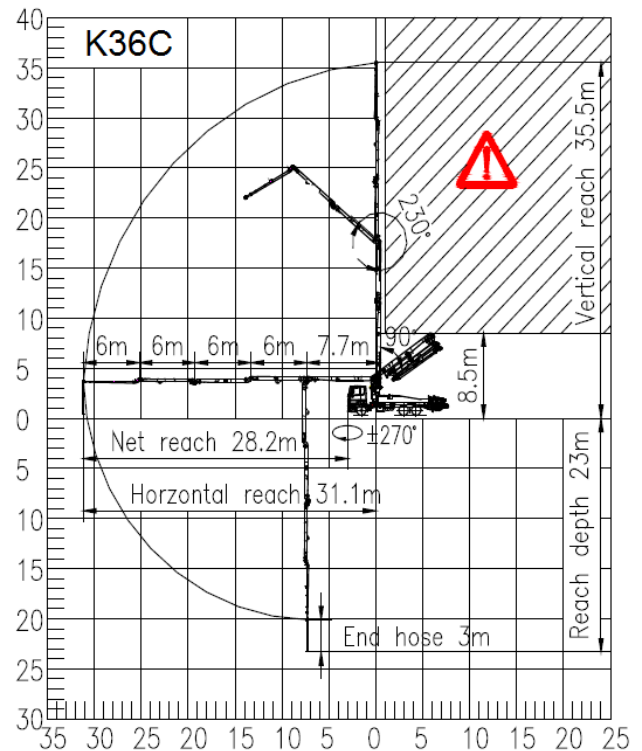
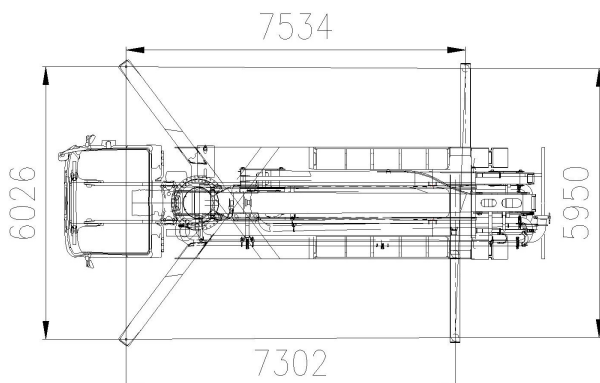
Placing boom	K36C
Pumping unit	PU1207
Driven by	PTO
Chassis	3 - 4 axles



### Dimensions



Dimensions varying according to truck assembly



## TRUCK-MOUNTED CONCRETE BOOM PUMP

Placing boom	K36C
Pumping unit	PU1207
Driven by	PTO
Chassis	3 - 4 axles

### Standard equipment

- Advantageous assembling on 3 axles chassis
- Self-supporting frame, torsion free, FEM designed and fatigue tested at the test bench TEC CIFA
- Placing boom 5Z 36/32, 5 sections, "Z" folding system
- 2 Proportional radio controls with two speeds boom movement, automatic frequency scanner
- 20 m emergency cable to connect radio controls.
- Centralized lubrication system for pumping unit
- Hard carbide wear plate and cutting ring for PU pumping units
- Fiberglass hopper covering
- Low pressure water pump (20 Bar / 75 l/min)
- One colour painting white RAL 9010
- 2 Use & Maintenance manuals
- Spare parts and service manual

### Control system

- Easytronic Gold:
  - LSC (Light Stability Control)
  - Integrated color LCD
  - Counters
  - Pumping unit management
  - Diagnostic

### Main options

- High pressure water pump 120 bar / 28 l/min - 40 kg
- Concrete shut off on endhose - 2 kg (includes air pipeline on placing boom)
- First aid kit for pumping unit
- Emergency button panel for PU pumping unit
- Additional endhose double stapling

MANUFACTURING	CIFA HUNAN
TRUCK ASSEMBLY	CIFA ITALY
TESTING	CIFA ITALY
CE CERTIFICATION	CIFA ITALY
WARRANTY	CIFA ITALY

### Pumping unit technical data

Model	PU1207	
Maximum theoretical output	<i>m<sup>3</sup>/h</i>	120
Maximum pressure on concrete	<i>bar</i>	70
Conc. cylinders (diam. x stroke)	<i>mm</i>	230x2100
Concrete hopper capacity	<i>l</i>	550
Hydraulic circuit		Open

### Placing boom technical data

Model	K36C	
Pipeline diameter	<i>mm</i>	125
Maximum vertical reach	<i>m</i>	35,5
Maximum horizontal distance (from center of slewing axis)	<i>m</i>	31,1
Minimum unfolding height	<i>m</i>	8,5
Section numbers		5
1st section opening angle		90
2nd section opening angle		180
3rd section opening angle		230
4th section opening angle		180
5th section opening angle		250
Rotating angle		+/-270
End hose length	<i>m</i>	3

Technical data and characteristics subject to modifications without notice