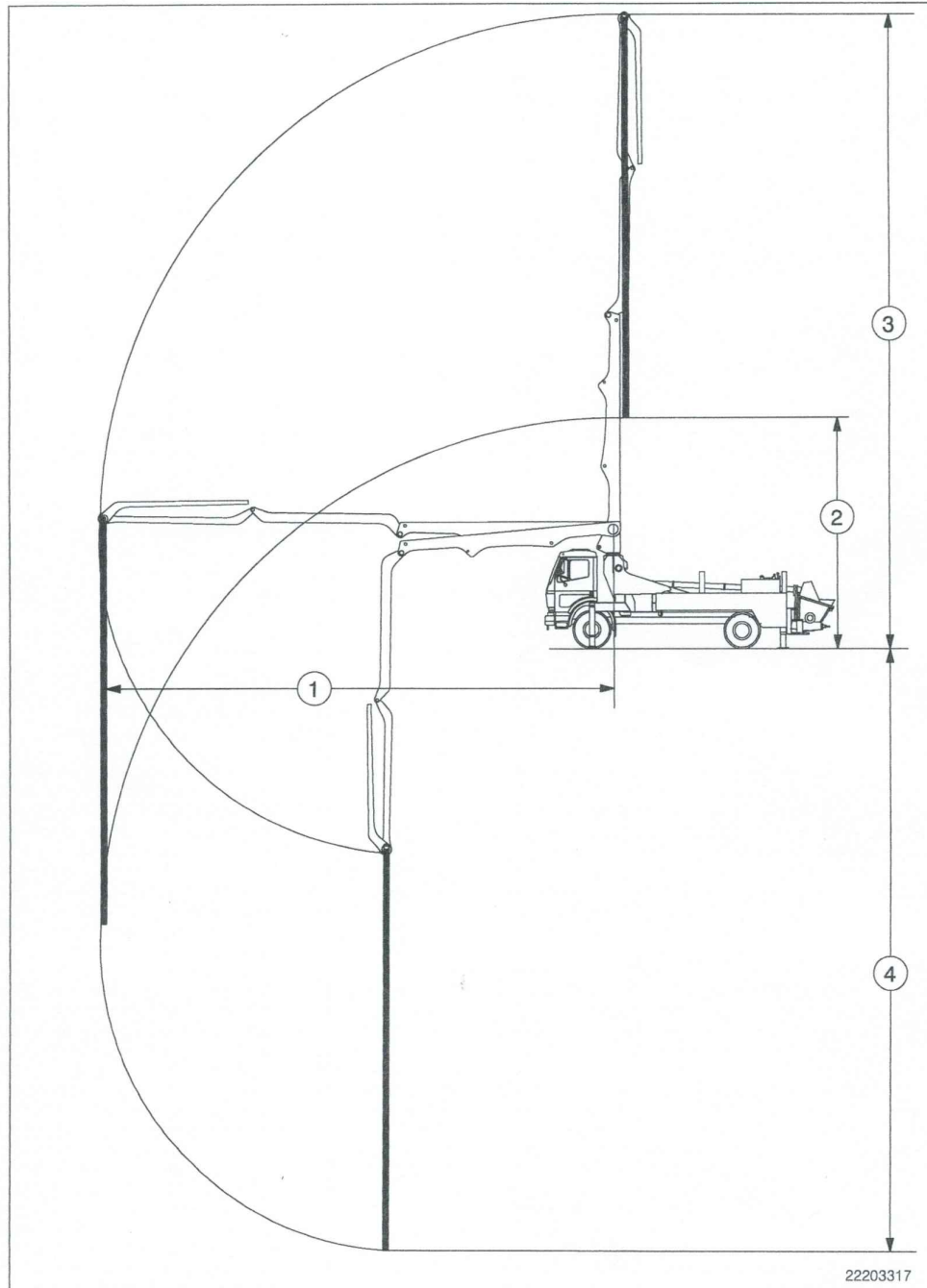


## 5.10.8 Reaches

The M 24 with connected 12 m end hose has the reaches listed below, while maintaining the permissible working ranges.



M 24

- 1 Horizontal reach = 15.2 m
- 2 Vertical reach (to the lower end of the 12 m end hose) = 6.8 m
- 3 Total vertical reach = 18.8 m
- 4 Depth of reach = 18.2 m